

COMMONWEALTH DC BRUSHLESS FAN

FP-108HX/DC-A

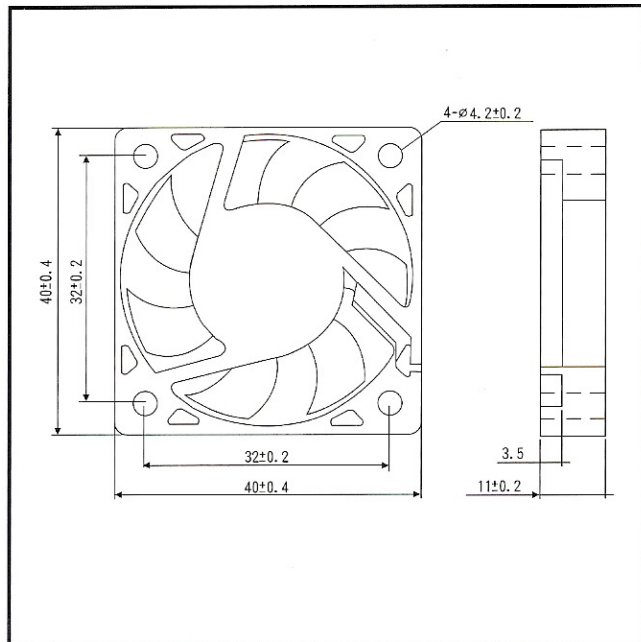
40x40x10mm

DESIGN FEATURES

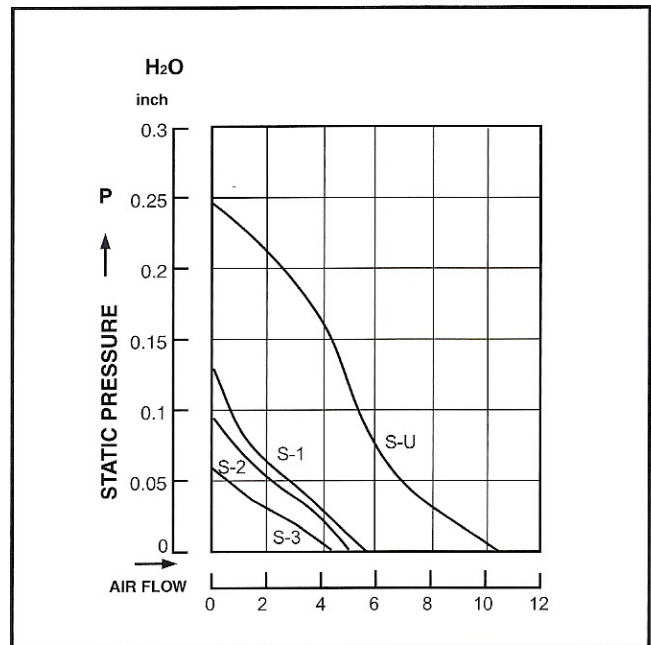
- *BEARING SYSTEM: SLEEVE BEARING & BALL BEARING
- *IMPELLER: PLASTIC WITH FIBER GLASS FILLED UL 94V-0
- *HOUSING: PLASTIC WITH FIBER GLASS FILLED UL 94V-0
- *MOTOR: BRUSHLESS DC
- *CONNECTING: WIRE LEADS
- *SPEED: S-U ULTRA TYPE
 - S-1 HIGH SPEED TYPE
 - S-2 MEDIUM SPEED TYPE
 - S-3 LOW SPEED TYPE
- *AVAILABLE FG TYPE FOR SPEED SENSOR SIGNAL



DIMENSIONS:MM



PERFORMANCE



SPECIFICATIONS

Specifications are subject to change without notice

MODEL NO.	VOLTAGE (VDC)	AIR (CFM)	VOLUME (M ³ /MIN)	CURRENT (A)	POWER (W)	SPEED (RPM)	STATIC PRESSURE (INCH-H ₂ O)	NOISE (dBA)
FP-108HX/DC-A (S-U)	12	10.66	0.302	0.22	2.64	9000	0.248	39.8
FP-108HX/DC-A (S-1)	5	5.93	0.168	0.26	1.30	6000	0.12	29
	12	5.93	0.168	0.11	1.32	6000	0.12	29
	24	5.93	0.168	0.10	2.40	6000	0.12	29
FP-108HX/DC-A (S-2)	5	5.43	0.154	0.22	1.10	5000	0.09	27
	12	5.43	0.154	0.09	1.08	5000	0.09	27
	24	5.43	0.154	0.09	2.16	5000	0.09	27
FP-108HX/DC-A (S-3)	5	4.41	0.125	0.18	0.90	4000	0.06	23
	12	4.41	0.125	0.07	0.84	4000	0.06	23
	24	4.41	0.125	0.08	1.92	4000	0.06	23